

Vertiv™ Edge Lithium-Ion (LI) Series

230V 1,500VA - 3,000VA

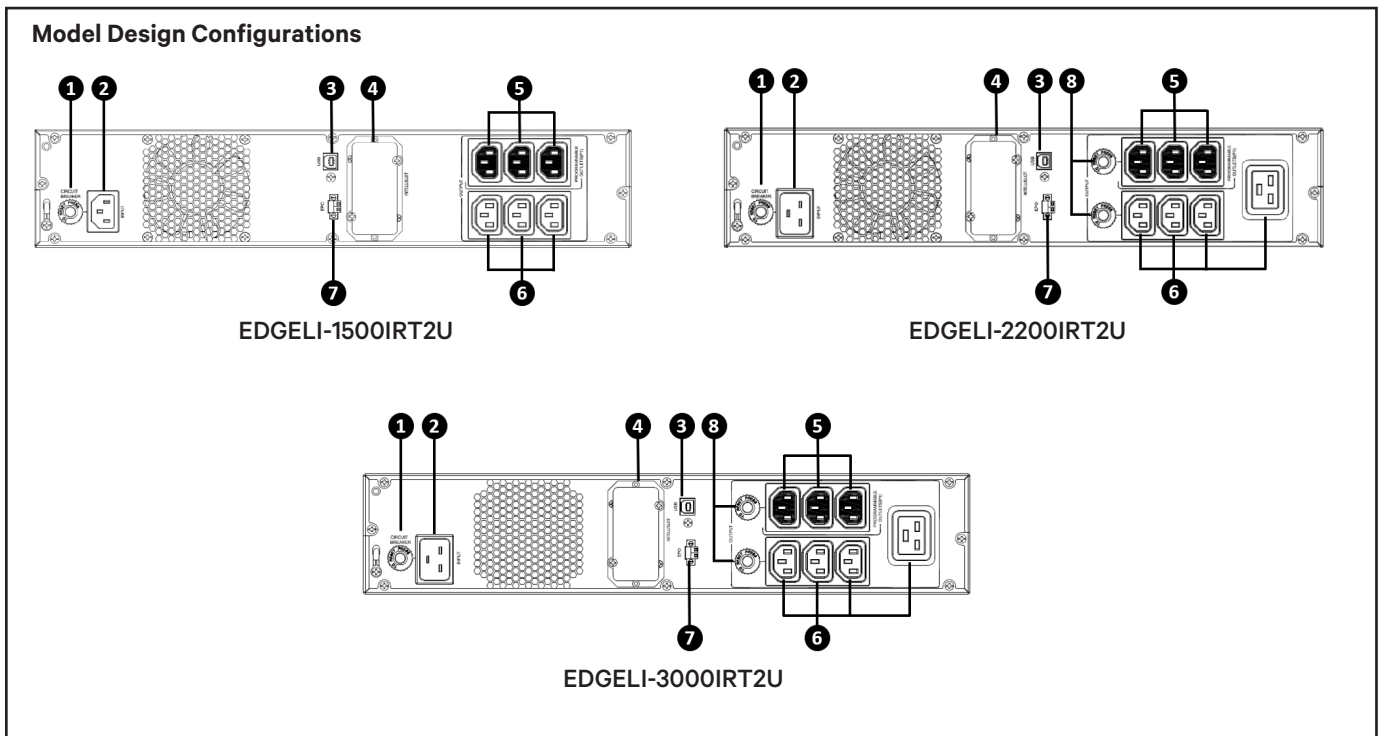


Quick Installation Guide



Thank you for your recent purchase of a Vertiv Edge! We appreciate your business and are confident that your new product will provide many years of uninterruptible power to your connected equipment. With this purchase, you may also want to consider Vertiv's complete line of racks, PDUs, thermal solutions, KVM switches, and serial consoles. Vertiv also offers a broad array of services and extended warranties. If you require any assistance or support please don't hesitate to reach out to one of our resellers, local rep firms, or directly to us at support.smallups.pdu@vertiv.com. We stand ready to support you. We sincerely hope that you'll continue to select Vertiv for all of your future infrastructure needs!

The Vertiv Team



IMPORTANT: Before installing, connecting to supply or operating your Vertiv™ Edge, please review the Safety and Regulatory Statements sheet. For detailed installation, operating, maintenance and troubleshooting information refer to the Vertiv Edge User Guide your model by scanning the QR code or visiting www.Vertiv.com.

Item	Description	Item	Description
1	Input Circuit Breaker	5	Programmable Receptacles (white)
2	AC Input	6	Non-programmable receptacles
3	USB Communication Port	7	Emergency Power Off (EPO) connector
4	Vertiv™ Liebert® IntelliSlot™ Port	8	Output Circuit Breakers

Installations

1. Inspecting the UPS

Inspect the contents of the box. If anything is missing or damaged contact us.

The following items are included in the package for all the models:

- Vertiv™ Edge
- Accessory Package includes:
 - Quick Install Guide
 - Safety and Regulatory Statements
 - USB type A to B cable
- Rail kit box
 - Left and right rail set
 - 12 x Rail kit screws (M5 x 14mm)
- 4 x Tower feet
 - 2 x UPS rack ears with 8 x rack ear screws (M4 x 8mm)
- 2 x IEC C13 to C14 output cables

EDGELI-1500IRT2U only

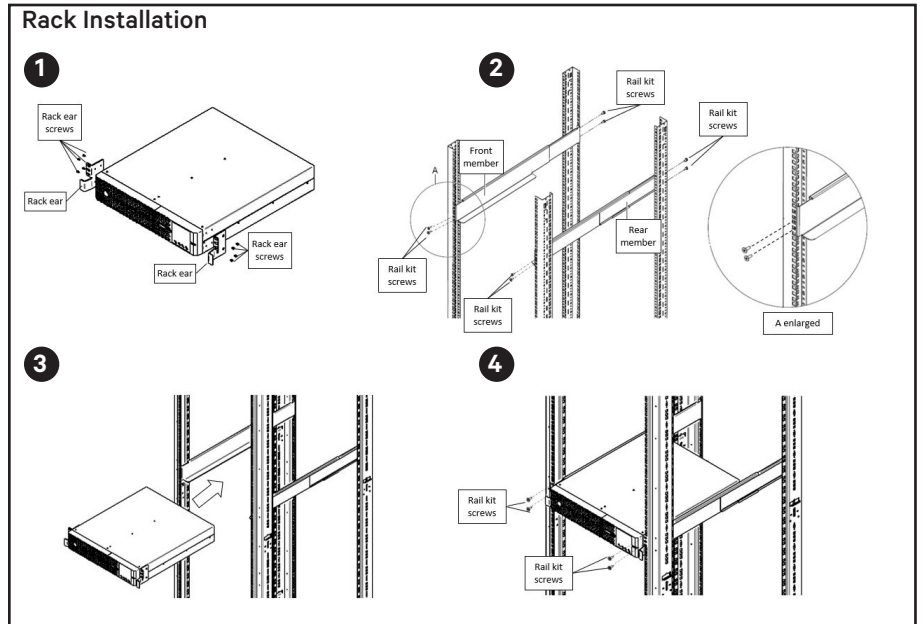
- Input power cable IEC Schuko to IEC C13
- Input power cable BS1362 to IEC C13
- Input power cable AUS to IEC C13

EDGELI-2200IRT2U and EDGELI-3000IRT2U only

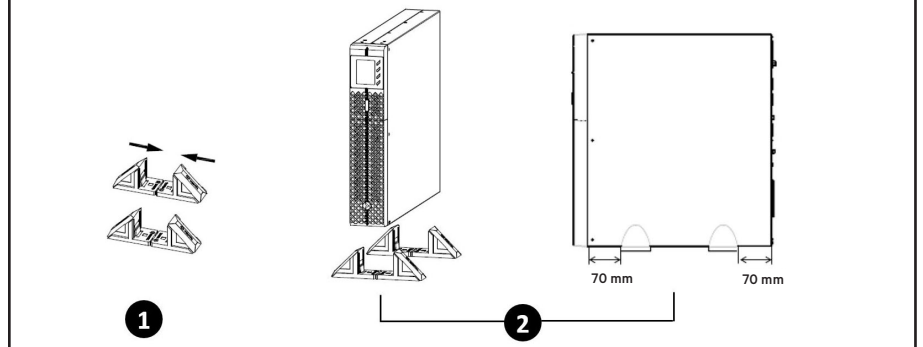
- Input power cable IEC Schuko to IEC C19
- Input power cable BS1362 to IEC C19
- Input power cable AUS to IEC C19

2. Choosing a location

Install the Vertiv™ Edge in a temperature controlled environment that is free of corrosive and conductive contaminants. Avoid locations near heat or water sources and exposed to direct sunlight. For proper air flow, leave four inches of clearance on the front and back of the UPS.



Tower Installation



3. Installing the UPS

The Vertiv™ Edge may be installed in either a rack or tower configuration.

For rack installation:

1. Attach a rack ear with four rack ear screws to the front right and left sides of the UPS.
2. Install the rear member of the rail onto the rack with one rail kit screw on the top and one on the bottom. Loosely tighten the screws (finger tight). Slide the front member of the rail to the front of the rack and secure the two bottom holes to the rack with two rail kit screws. Tighten

all screws. Repeat for the second rail.

3. Place the UPS with assembled rack ears onto the rail supports. The batteries may be temporarily removed for easier installation (see Replacing the Battery section)
4. Attach two rail kit screws to each UPS rack ear and rail to secure the UPS to the rack.

For tower installation:

1. Connect two tower feet together. Repeat to assemble two tower stands.

- Place the UPS in the tower stands 70 mm from each edge of the UPS.

Connections

4. Connecting Loads

The UPS has non-programmable and programmable rear outlets. Plug your critical equipment (such as computer, monitors, etc.) into the non-programmable outlets and your less critical equipment (less often used peripherals) into the programmable outlets. Do not plug in the UPS input power until after all load and optional connections have been made.

5. Network communication card connection (optional)

Advanced monitoring and simple control of the Vertiv™ Edge can be done with the use of a Vertiv™ Liebert® IntelliSlot™ Communications card. Visit www.Vertiv.com/IntelliSlot for additional information

- Remove the two screws and protective cover on the rear panel network communications port.
- Insert the card into the port and secure it with the screws. Refer to the documentation with the card or at the link above for cable connection and operation.

6. USB Communication Connection (Optional)

Basic monitoring of the Vertiv™ Edge and unattended controlled shutdown of your computer in case of a power failure can be done using the Vertiv™ Power Assist software via the USB port. Visit www.Vertiv.com/PowerAssist for additional information.

7. Emergency Power Off (EPO) Connection (Optional)

To comply with national and local wiring codes and regulations, the EPO connector internally

disconnects all power sources to connected equipment. To use this feature remove the factory installed jumper on the rear panel EPO connector and connect to active-open contacts that are normally closed but open during an emergency power off event. Operating logic may be reversed in the settings menu. If you do not use the EPO connector, leave the factory installed jumper in place and the default (active open) EPO setting in the settings menu.

8. Connecting AC Input

Ensure that all the loads are first powered off. Connect to an input power supply/wall outlet that is properly protected by a circuit



breaker in accordance with national and local electrical codes. The input receptacle must be grounded. Once the UPS is plugged into the wall outlet, it begins charging the battery.

Operation

9. Starting up the UPS

Plug the UPS input plug into a stable 230VAC source. The LCD display turns on and the batteries begin charging. Press and hold the **ENTER/ON** button for two seconds until the output turns on. The UPS is in Battery Self Test mode for 10 seconds. After a successful battery self test, the UPS is in On Mode.

10. Shutting down the UPS

Press and hold the **ENTER/ON** button for two seconds and use the popup window to confirm that the UPS should be turned off. This will turn the outlets off. Disconnect the input power.

11. Fully shutting down the UPS

After turning the UPS off, remove input power, then remove the front bezel and disconnect the battery connector. Replace the front bezel. The unit is now fully shut down.

Maintenance And Battery Replacement

Precaution

Although the Vertiv™ Edge is designed and manufactured to ensure personal safety, improper use can result in electrical shock or fire. To ensure safety, observe the following precautions:

- Turn off and unplug the UPS before cleaning it.
- Clean the UPS with a dry cloth. Do not use liquid or aerosol cleaners.
- Never block or insert any objects into the UPS ventilation holes or openings.
- Do not place the UPS power cord where it might be damaged.

Battery Charging

The batteries are lithium ion and should be kept charged to attain their design life. The Vertiv™ Edge charges the batteries continuously when it is connected to the utility input power. If the Vertiv™ Edge will be stored for a long time, we recommend connecting the UPS to input power for at least three hours every four to six months to ensure full recharge of the batteries.

Replacing the Battery

IMPORTANT: Before you proceed, please review the battery safety precautions available at <https://www.vertiv.com/>

ComplianceRegulatoryInfo.

You may safely replace the internal battery pack. See the Specifications in the User Guide online at www.vertiv.com

for the part number of the replacement battery for your UPS model number.

NOTE: Replace the battery with the same type and number as originally installed.

12. Removing the front panel

Remove the front bezel by pulling firmly until the snaps release. The Vertiv™ Edge battery can be hot swapped and may be replaced while the UPS is on and plugged in. As long as the utility power is available, power to the outlets will remain.

13. Disconnecting the battery wires

Disconnect the battery connector by squeezing the ends and pulling apart.

14. Removing the battery box

Remove the four screws and the metal battery cover. Pull the battery kit out.

15. Installing the new battery

Orient the connector and the new battery in the same way as the original battery, then slide them into the UPS. Reinstall the metal battery cover.

16. Reconnecting the battery and front panel

Reconnect the battery connectors. Snap the front bezel back on.

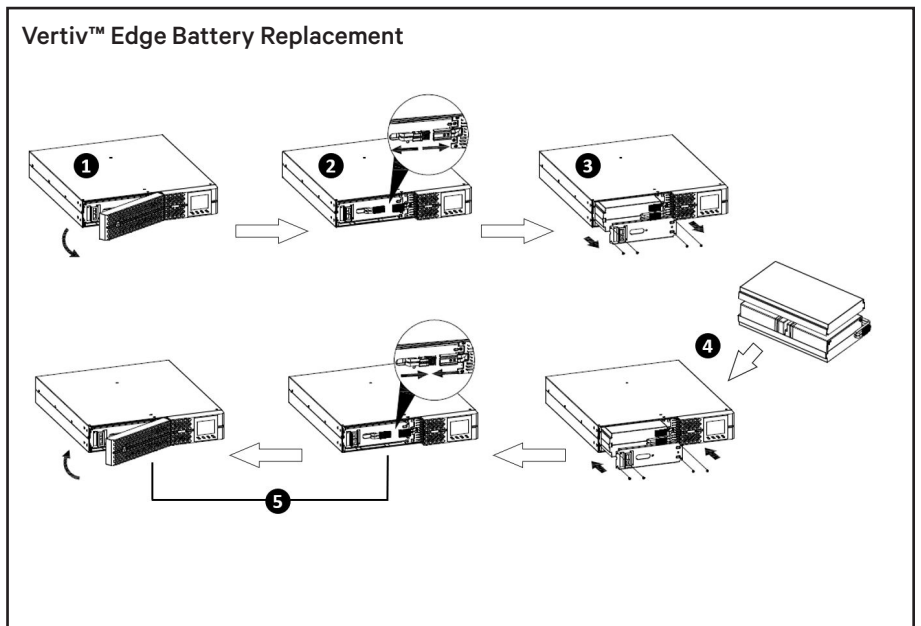
17. Resetting battery statistics

Navigate through the menu to *Settings > Battery > Replace Battery* and confirm battery replacement.

NOTE: Default password is 111111.

18. Disposing of the old battery

Properly dispose of old batteries at an appropriate recycling center or return them to Vertiv in the packing material for the replacement batteries.



To contact Vertiv Technical Support: visit www.Vertiv.com

©2022 Vertiv Group Corp. All rights reserved. Vertiv™ and the Vertiv logo are trademarks or registered trademarks of Vertiv Group Corp. All other names and logos referred to are trade names, trademarks or registered trademarks of their respective owners. While every precaution has been taken to ensure accuracy and completeness here, Vertiv Group Corp. assumes no responsibility, and disclaims all liability, for damages resulting from use of this information or for any errors or omissions. Specifications, rebates and other promotional offers are subject to change at Vertiv's sole discretion upon notice.

