

# Vertiv™ Geist™ Analog-to-Digital Converter



## Quick Installation Guide

### Part Number:

A2D-10, A2D-50

### Description

This analog-to-digital converter provides the ability to connect a dry contact, 4-20 mA or a 0-10 VDC sensor to an RJ12 sensor port.

The following are some types of analog sensors that can be utilized with the A2D converter:

- Door Position
- Power Failure
- Water-Sensing Cable
- Flood Sensor
- Isolated Voltage
- Smoke Alarm
- Industry Standard 0-10 VDC or 4-20 mA

**NOTE:** The A2D sensor can span a total cable distance up to 600 ft from the Geist environmental monitoring device.

### Installation

1. Mount the plastic enclosure anywhere in the data center with screws, magnets, zip ties or Velcro tape.
2. Connect the analog and/or dry contact device to the A2D sensor by attaching the common wire to terminal C and the remaining wire to terminal 1.
3. Plug one end of the uplink cable into one of the RJ12 ports of the A2D and plug the other end into the sensor port (RJ12/☑) of the Geist environmental monitoring device or rack PDU.

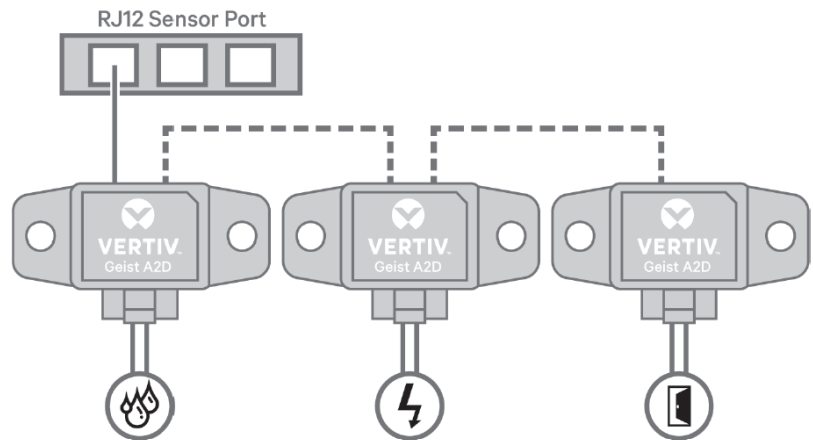
**NOTE:** Sensors can be connected in series by plugging an uplink cable into the second RJ12 port of the A2D and the other end into another A2D's RJ12 port.

Once connected, the Geist environmental monitoring device automatically detects and identifies the sensor.

Geist™ Analog-to-Digital Converter (Front and Rear)



Typical Series Configuration of the A2D Converter





**To contact Vertiv Technical Support: visit [www.Vertiv.com](http://www.Vertiv.com)**

©2023 Vertiv Group Corp. All rights reserved. Vertiv™ and the Vertiv logo are trademarks or registered trademarks of Vertiv Group Corp. All other names and logos referred to are trade names, trademarks or registered trademarks of their respective owners. While every precaution has been taken to ensure accuracy and completeness here, Vertiv Group Corp. assumes no responsibility, and disclaims all liability, for damages resulting from use of this information or for any errors or omissions. Specifications, rebates and other promotional offers are subject to change at Vertiv's sole discretion upon notice.

