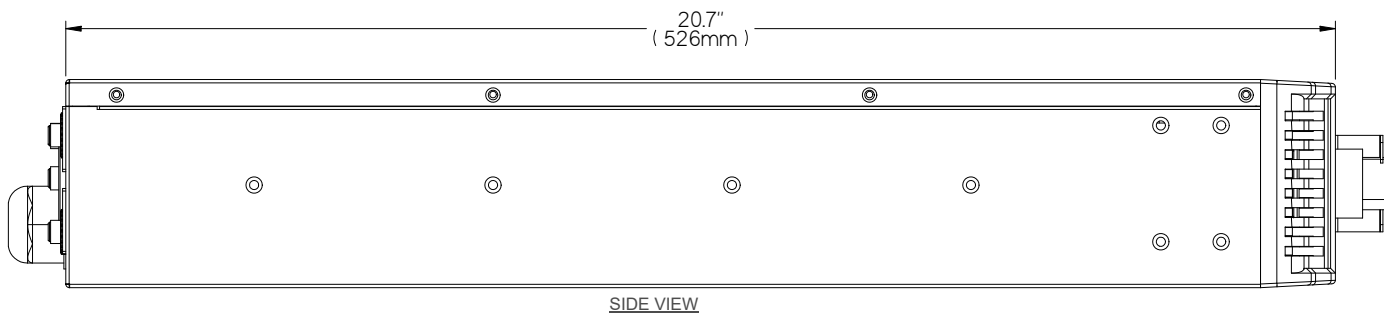


- ① OUTPUT RECEPTACLES: 8 NEMA 5-15/20R
- ② 20A OUTPUT CIRCUIT BREAKER: 4
- ③ OUTPUT RECEPTACLES: 2 NEMA L5-30R
- ④ 30A OUTPUT CIRCUIT BREAKER: 2
- ⑤ INPUT PLUG: NEMA L6-30P ON 23.6" (600mm) CORD
- ⑥ ROTARY VOLTAGE SELECTOR SWITCH. 208V/240V

**NOTES:**

1. UNIT INPUT: 200VAC-240VAC, 60/50HZ, 24A, 2W+PE(L1, L2, PE)
2. UNIT OUTPUT: 100VAC-125VAC, 60/50HZ.  
OUTPUT1: 3000VA/3000W, 30A MAX. OUTPUT2: 3000VA/3000W, 30A MAX.
3. UNIT DIMENSIONS: 17.2" x 3.4" x 20.7" (438mm) x (86mm) x (526mm)
4. UNIT WEIGHT: 104.1LBS (47.2KG)
5. SHIPPING DIMENSIONS: 21.6" x 10.2" x 26.5" (550mm) x (258mm) x (672mm)
6. SHIPPING WEIGHT: 113.3LBS (51.4KG)
7. MINIMUM AIRFLOW CLEARANCE IS 4.0" (100.0mm) - FRONT/REAR
8. FIXED RAIL KIT: INCLUDED.
9. ALL WIRING IS TO BE IN COMPLIANCE WITH NATIONAL AND LOCAL ELECTRIC CODES



|                          |                     |
|--------------------------|---------------------|
| DRAWN BY<br>B. LAY       | SHEET NO.<br>1 OF 2 |
| CHK BY<br>B. HOCKENSMITH | ECN NO.             |
| REF. DWG.                | ORDER NO.           |

TDU 6000RTL630

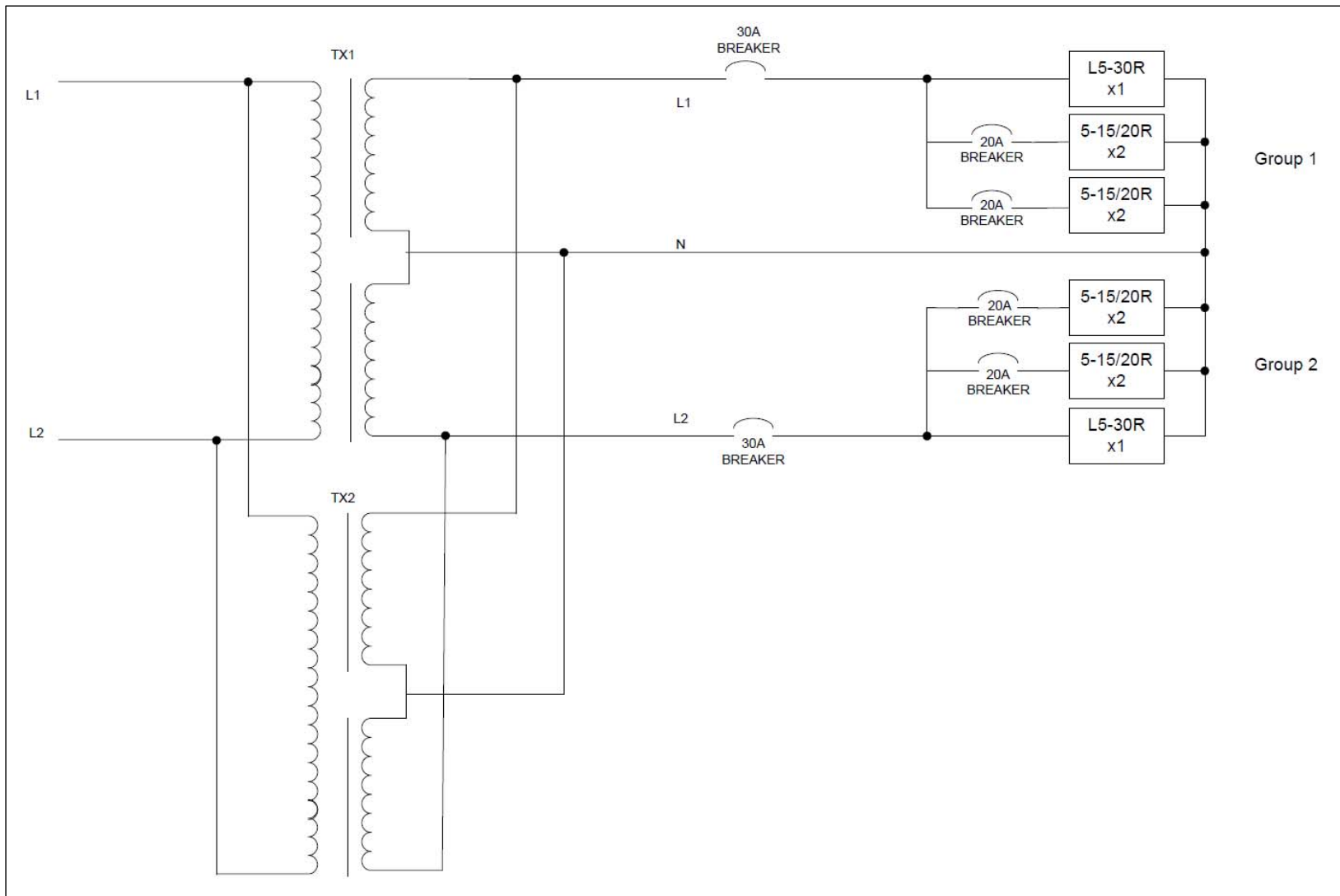
DWG. NO.  
TDU 6000RTL630

DATE  
6/14/18

REV. #  
0

1050 DEARBORN DRIVE  
P.O. BOX 29186  
COLUMBUS, OHIO 43229





FUNCTIONAL DIAGRAM

|                          |                     |
|--------------------------|---------------------|
| DRAWN BY<br>B. LAY       | SHEET NO.<br>2 OF 2 |
| CHK BY<br>B. HOCKENSMITH | ECN NO.             |
| REF. DWG.                | ORDER NO.           |

TDU 6000RTL630

|                            |                 |             |   |
|----------------------------|-----------------|-------------|---|
| DWG. NO.<br>TDU 6000RTL630 | DATE<br>6/14/18 | REV. #<br>0 | 1050 DEARBORN DRIVE<br>P.O. BOX 29186<br>COLUMBUS, OHIO 43229 |
|----------------------------|-----------------|-------------|---|



FILE NAME: I:\dpg\DRAWINGS\TDU\TDU 6000RTL630.dft