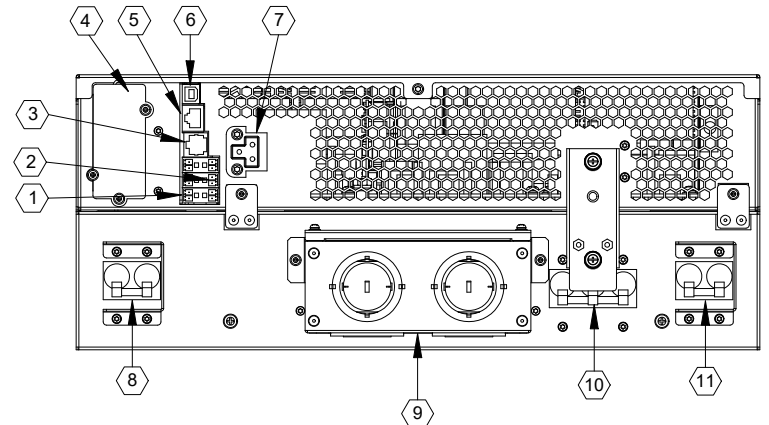
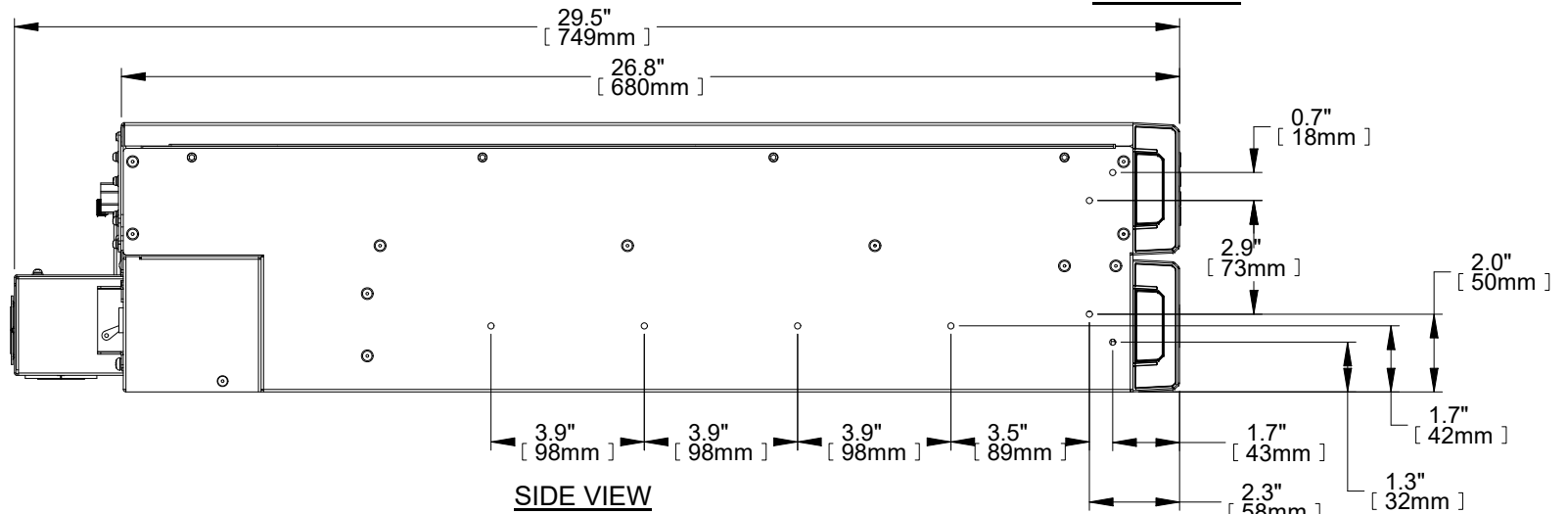


FRONT VIEW

FOR DETAIL
SEE DRAWING
GXT5-DISPLAY



REAR VIEW



SIDE VIEW

- | | |
|-------------------------------------|--|
| ① TERMINAL BLOCK COMMUNICATION | ⑧ INPUT BREAKER |
| ② REPO (REMOTE EMERGENCY POWER OFF) | ⑨ KNOCKOUTS FOR HARD-WIRED POWER INPUT |
| ③ RS232 PORT | ⑩ MAINTENANCE BYPASS BREAKER |
| ④ LIEBERT INTELLISLOT PORT | ⑪ OUTPUT BREAKER |
| ⑤ RS485 PORT | |
| ⑥ USB PORT | |
| ⑦ EXTERNAL BATTERY CONNECTOR | |

NOTES:

- UNIT DIMENSIONS (WxDxH): 16.9" x 26.8" x 6.8" (4U)
(430mm) x (680mm) x (173mm)
- UNIT WEIGHT: 125.6bs (57kg)
- SHIPPING DIMENSIONS (WxDxH): 35" x 25.2" x 29.1"
(890mm) x (640mm) x (740mm)
- SHIPPING WEIGHT: 189.6bs (86kg)
- MINIMUM AIRFLOW CLEARANCE IS 4.0" (100mm) FRONT AND REAR.

DRAWN BY B. LAY	SHEET NO. 1 OF 1
CHK BY M. MCCLINCY	ECN NO.
REF. DWG.	ORDER NO.

OUTLINE DRAWING
LIEBERT GXT5 5/6kVA
208/120VAC RACK/TOWER UPS

DWG. NO. GXT5-5K_6KMV_OD	DATE 1/30/19	REV. # 0	1050 DEARBORN DRIVE P.O. BOX 29186 COLUMBUS, OHIO 43229
-----------------------------	-----------------	-------------	---

