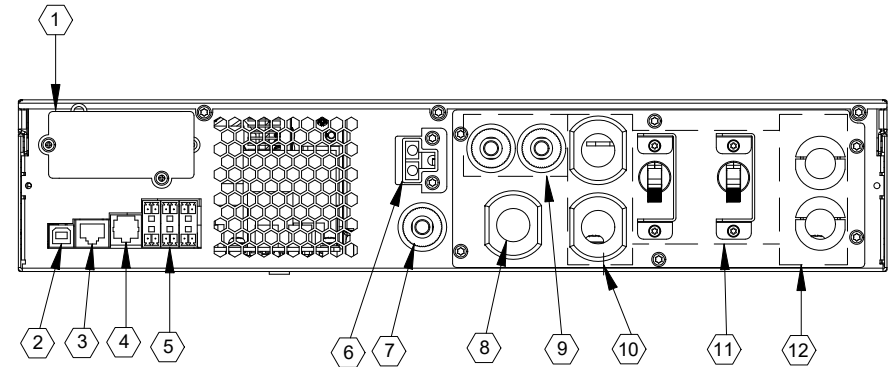
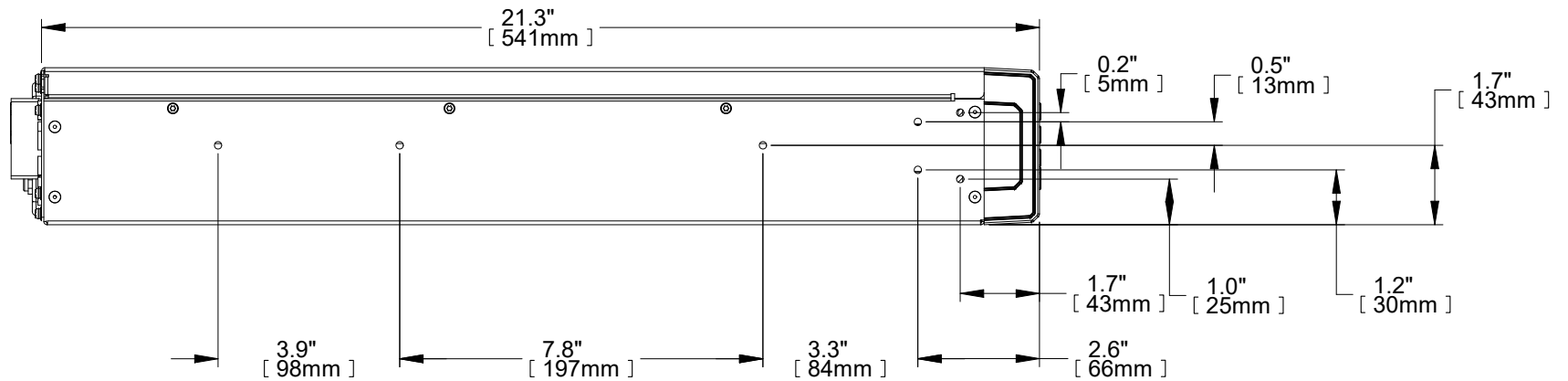


FRONT VIEW

FOR DETAIL
SEE DRAWING GXT5-DISPLAY



REAR VIEW



SIDE VIEW

- ① INTELLISLOT PORT
- ② USB PORT
- ③ RS485 PORT
- ④ RS232 PORT
- ⑤ TERMINAL BLOCK COMMUNICATION
- ⑥ EXTERNAL BATTERY CONNECTOR
- ⑦ INPUT CIRCUIT BREAKER 20A
- ⑧ INPUT POWER PLUG (L6-30P)
- ⑨ OUTPUT CIRCUIT BREAKER 20A
- ⑩ OUTPUT POWER PLUG (L6-30R)
- ⑪ OUTPUT CIRCUIT BREAKER 15A
- ⑫ OUTPUT POWER CABLE (L6-15R)

NOTES:

1. UNIT DIMENSIONS (WxDxH): 16.9" x 21.3" x 3.3" (2U)
(430mm) x (541mm) x (85mm)
2. UNIT WEIGHT: 71.4lbs (32.4kg)
3. SHIPPING DIMENSIONS (WxDxH): 22.4" x 28.2" x 10.3"
(570mm) x (717mm) x (262mm)
4. SHIPPING WEIGHT: 86lbs (39kg)
5. MINIMUM AIRFLOW CLEARANCE IS 4.0" (100mm)
FRONT AND REAR.

DRAWN BY B. LAY	SHEET NO. 1 OF 1
CHK BY M. MCCLINCY	ECN NO.
REF. DWG.	ORDER NO.

OUTLINE DRAWING
LIEBERT GXT5 3000VA
208VAC RACK/TOWER UPS

DWG. NO. GXT5-3K630HV_OD	DATE 1/30/19	REV. # 0	1050 DEARBORN DRIVE P.O. BOX 29186 COLUMBUS, OHIO 43229
-----------------------------	-----------------	-------------	---

FILE NAME: I:\dpgeng\GXT5\Submittals(A)Outline Dwg\GXT5-3K630HV_OD

