

Vertiv™ Avocent® VHX131L | VHX231L

HDMI Matrix KVM over IP Extender



Product features

- Less-than-a-second switching among target PCs
- Any-to-any matrix configuration
- IP based technology eliminates distance limitation between TX and RX units
- Value-added functions including video wall and console collaboration
- Multicast 1:1 pixel mapping with instant video transmission
- USB 2.0 specification supports most USB 2.0 compliant devices

The VHX131L/VHX231L Matrix KVM over IP Extender is a lite-version of Vertiv's KVM extender over IP series without centralized management. It allows users to extended Video/Audio/USB/IR/RS-232 access to remote computers respectively with 4K Ultra HD video resolutions. The signal transmitted over the Gigabit network is with near-zero latency. Each model comes with a pair of a transmitter (TX) unit and a receiver (RX) unit. The data transmission between the TX and RX units could be configured as Extender Mode or Matrix Mode to satisfy one-to-one, one-to-many, many-to-one, many-to-many configurations. It is especially applicable to quickly build up a powerful data transmission and switching system in various applications like broadcasting, bank financing, plant control centers, and other industries.

The VHX131L/VHX231L extender features Video-wall Setup under Web-based Management Interface. Via easy setting and flexible video-wall layouts, your overall system value is just increased than ever. It further features Console Collaboration function. Via its intuitive push/pull operations, the PC resources accessed by those receiver consoles can be easily shared with each other.

Unit Panels



VHX131LRX (Front & Rear)



VHX131LTX (Front & Rear)

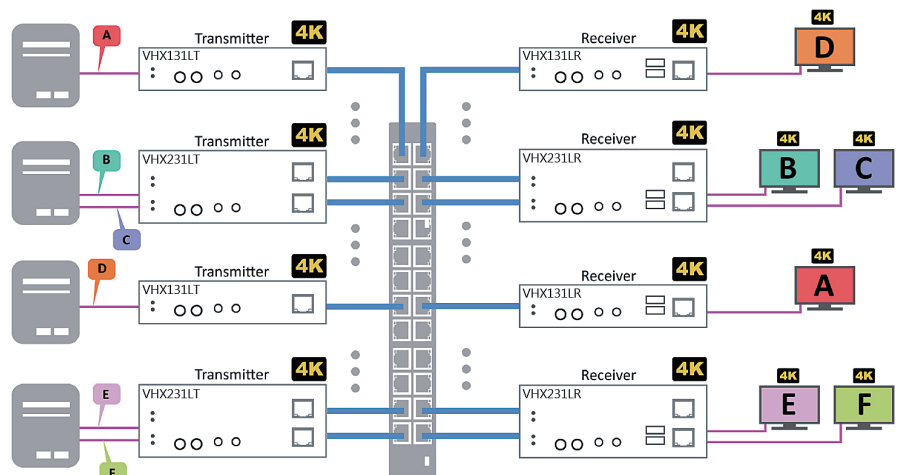


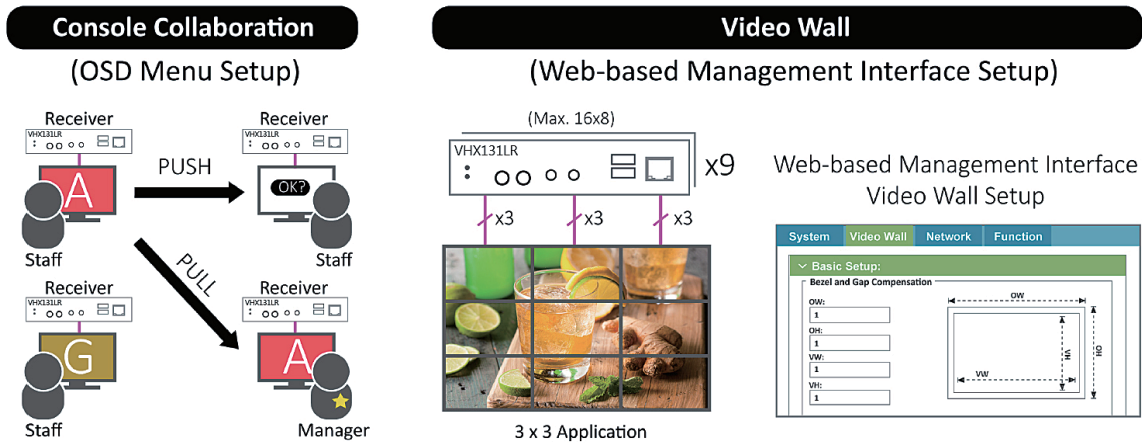
VHX231LRX (Front & Rear)



VHX231LTX (Front & Rear)

System Configuration





Technical Specifications

VHX131L Extender Model		VHX231L Extender Model	
Transmitter (VHX131LT)	1 x HDMI Input	Transmitter (VHX231LT)	2 x HDMI Input + 2 HDMI Output
	1 x USB Type-B Connector		1 x USB Type- B Connector
	1 x IR Input + 1 x IR Output		1 x IR Input + 1 x IR Output
	2 x 3.5mm Audio Jack		2 x 3.5mm Audio Jack
	2 x Push Button (LINK/MODE)		2 x Push Button (LINK/MODE)
	1 x RJ-12 RS-232 Connector (Female)		1 x RJ-12 RS-232 Connector (Female)
Receiver (VHX131LR)	1 x RJ-45 LAN Connector	Receiver (VHX231LR)	2 x RJ-45 LAN Connector
	1 x HDMI Output		2 x HDMI Output
	2 x USB Type-A (HID) Connector		2 x USB Type-A (HID) Connector
	2 x USB Type-A (Device) Connector		2 x USB Type-A (Device) Connector
	1 x IR Input + 1 x IR Output		1 x IR Input + 1 x IR Output
	2 x 3.5mm Audio Jack		2 x 3.5mm Audio Jack
USB	2 x Push Button (LINK/MODE)	USB	2 x Push Button (LINK/MODE)
	1 x RJ-12 RS-232 Connector (Female)		1 x RJ-12 RS-232 Connector (Female)
Max. Video Resolution	1 x RJ-45 LAN Connector	Max. Video Resolution	2 x RJ-45 LAN Connector
	Supports USB 2.0 Devices (Low Speed/Full Speed/High Speed)		Supports USB 2.0 Devices (Low Speed/Full Speed/High Speed)
Audio	3840 x 2160@30Hz	Audio	3840 x 2160@30Hz
	Analog Line In/Out 2 channel 16bit 48KHz 1 Vrms Out		Analog Line In/Out 2 channel 16bit 48KHz 1 Vrms Out
Network	1 Gbps Ethernet network for Matrix Switching Access	Network	1 Gbps Ethernet network for Matrix Switching Access
	DC 12V		DC 12V
Temperature	Operation: 0~50°C; Storage: -20~60°C	Temperature	Operation: 0~50°C; Storage: -20~60°C
	0~90% RH, Non-Condensing		0~90% RH, Non-Condensing
Weight	483g	Weight	705g
	134mm(L)x120mm(W)x25mm(H)		134mm(L)x120mm(W)x53mm(H)
Certificates	CE/FCC/BIS	Certificates	CE/FCC/BIS

Ordering Information

Model No.	Description
VHX131LT/R	Single-display HDMI Matrix KVM over IP Transmitter/Receiver
VHX231LT/R	Dual-display HDMI Matrix KVM over IP Transmitter/Receiver

Vertiv.com

© 2025 Vertiv Group Corp. All rights reserved. Vertiv™ and the Vertiv logo are trademarks or registered trademarks of Vertiv Group Corp. All other names and logos referred to are trade names, trademarks or registered trademarks of their respective owners. While every precaution has been taken to ensure accuracy and completeness here, Vertiv Group Corp. assumes no responsibility, and disclaims all liability, for damages resulting from use of this information or for any errors or omissions. Specifications, rebates and other promotional offers are subject to change at Vertiv's sole discretion upon notice.